
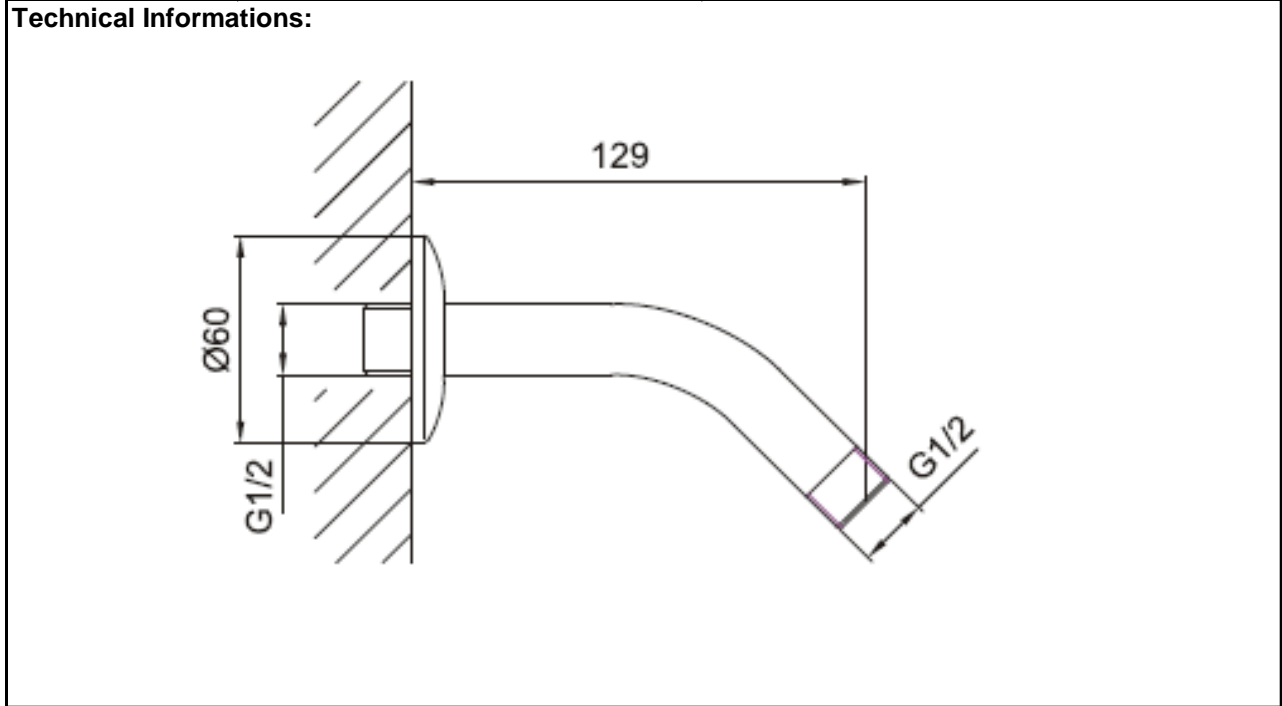


SPECIFICATION SHEET - fittings

BRAND:	CAE	Product Photo: 
ORIGIN:	China	
SERIES:	Showers	
PRODUCT DESCRIPTION:	Shower arm with flange	
MODEL No.	51 01301	
FINISH/COLOUR:	Chrome plated	
DIMENSIONS:		
OPTIONAL MATCHING PARTS:		



REMINDER:	Pipe flushing must be done before faucets are installed. Failure to do so voids the warranty.
	Do not use cleaners containing abrasive cleansers, ammonia, bleach, acids, waxes, alcohol, solvents or other products not recommended for chrome.
	All information is for reference only, installation shall always be based on the actual product delivered.